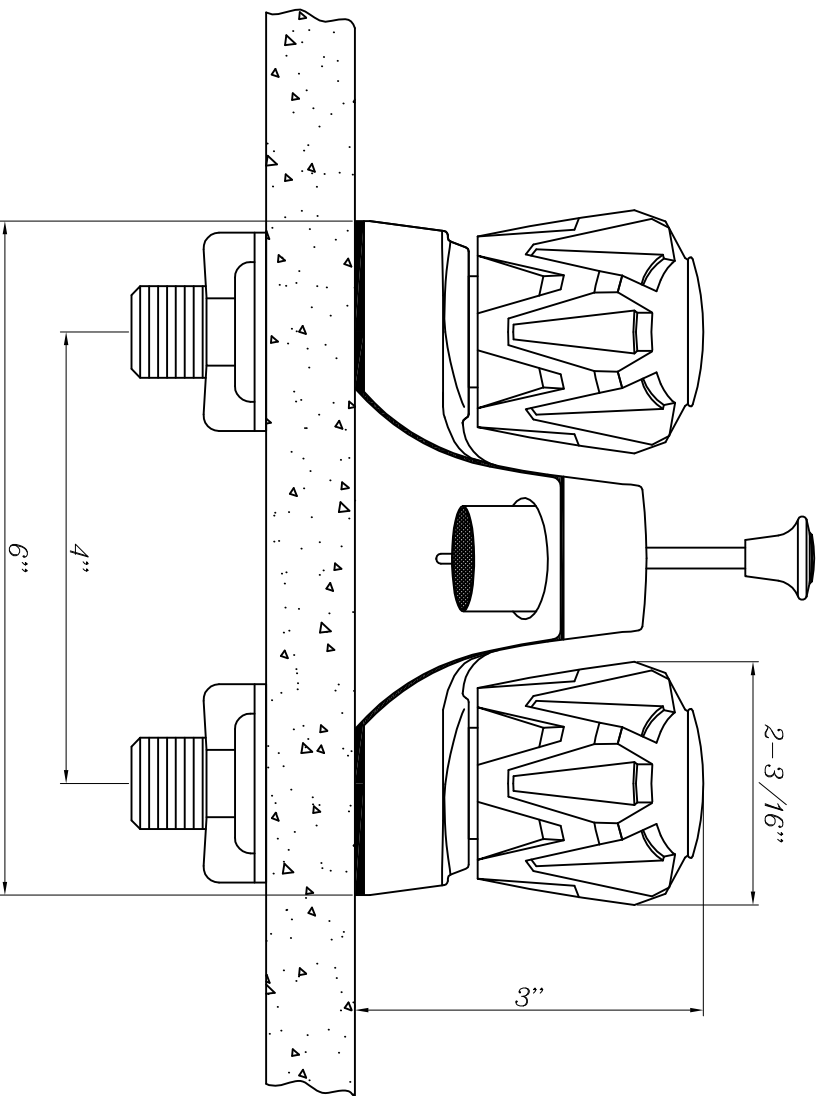
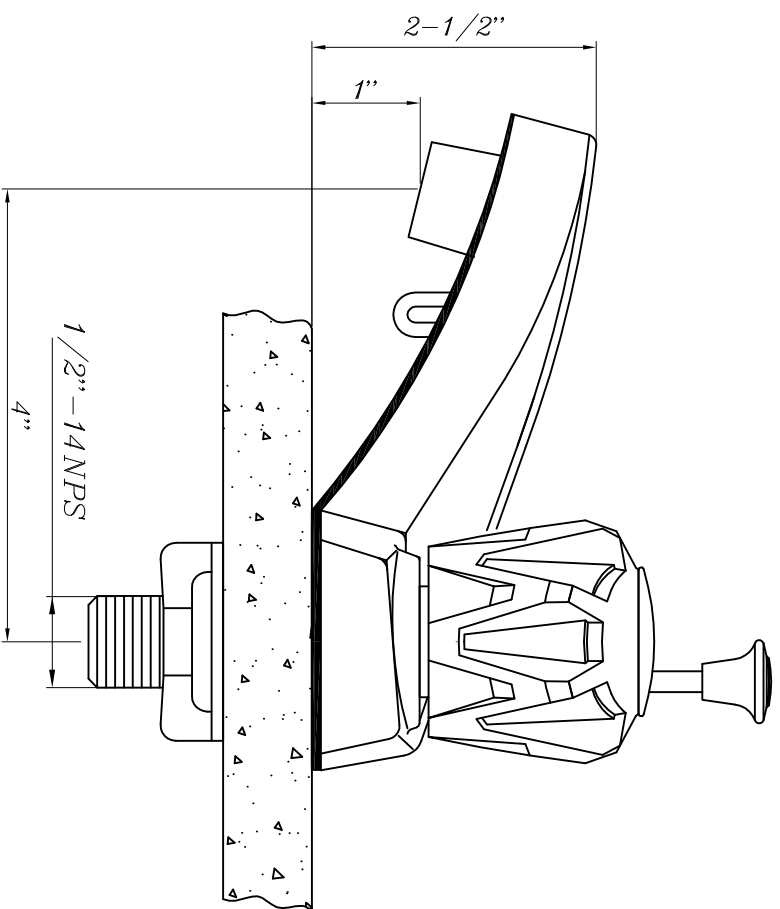


100 Series



ESCUTCHEON LENGTH



ESC.
WIDTH